

mademoiselle.premium 878

Model Code F5295

revision 00 of 09-01-13
(the present replaces any previous versions)



Designer: Centro Studi Interno

Structure: Pine-wood, multilayer and plywood covered with polyurethane foam.

Spring system: Elastic webbing

Seat Padding: Ecological polyurethane foam covered with 100% polyester layer.

Back Padding: Ecological polyurethane foam covered with 100% polyester layer.

Arm Interior: Ecological polyurethane foam covered with 100% polyester layer.

Removability: Not available

Sewing: Leather coverings feasible with contrast stitchings in the colours available; cuts and sewings vary on microfibre (or fabric) coverings.

Mechanisms: The model is equipped with headrests that can be manually uplifted. The height of the model with uplifted headrests is 94 cm. Version 043/044 is equipped with 2 manual uplifting headrests.

Standard feet: Shiny steel PM741 feet h 14 cm. Some versions may be equipped with hidden feet with a supporting structural function.

Density of seat and back

Markets	Seat	Back
I	35 Medium	30
D - NL - CH		
USA	35 soft	30 soft
GB - California	35 fire retardant	30 fire retardant
Others	35 Medium	30

Note: when no values/contents are specified in the chart, please refer to 'Others' field/area.

Coverings

	suggested	not suggested	not possible
thick leathers	✓		
thin elastic leathers	✓		
natural leathers	✓		
fabric*	✓		
microfibre*	✓		
By Cust			✓
leather + split	✓		
DeLuxe			✓
multicovering			✓
multicolour			✓

Please note: for not removable models, only one colour fabric covers are available.

* fabrics and microfibers are not available for the U.K. market

Multicovering / Components / Optional vers.



Feet



PM741

Ottoman



With the reservation of carrying for production purposes and without advanced notices modifications on the materials, coverings and dimensions of the product as indicated in the relevant specification. The given dimensions and volume are of indicative value being subject to the production process tolerances.

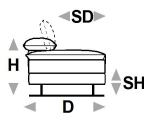
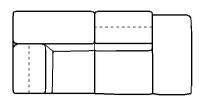
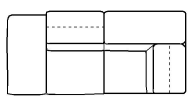
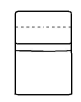
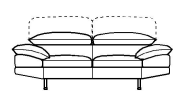
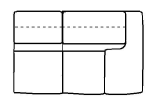
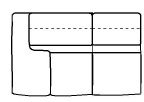
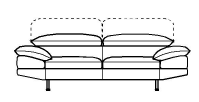
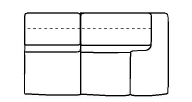
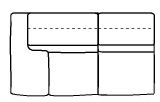
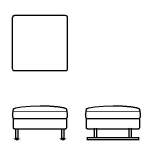
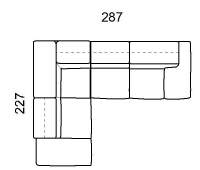


↑ fold following the dotted line ↑

mademoiselle. premium 878



L Length - H Height - D Depth - SH Seat Height - SD Seat Depth

 dimensions version code Description	 L 227 H72 D104 SH42 SD57 043 sq.cor.chr.sq.mer. rig.fac.	 L 227 H72 D104 SH42 SD57 044 sq.cor.chr.sq.mer.le fac.	 L 72 H72 D104 SH42 SD57 130 chair without armr.	 L 202 H72 D104 SH42 SD57 240 2 1/2 seater	 L 163 H72 D104 SH42 SD57 251 1 right arm fac.2 1/2 str
 L 163 H72 D104 SH42 SD57 252 1 left arm fac. 2 1/2 str	 L 222 H72 D104 SH42 SD57 300 3 seater	 L 183 H72 D104 SH42 SD57 310 1right arm facing 3 str	 L 183 H72 D104 SH42 SD57 320 1left arm facing 3 str	 L 70 H43 D70 SH- SD- 540 ottoman	 L - H- D- SH- SD- X16 044 + 310 +

↓ fold following the dotted line ↓

